

IP66 OUTDOOR

Technical data pages by Formrack

Outdoor 19" Wall Mounted Cabinet
Cabinet Reference Rack:7U 600x450

FORMRACK®

General Features

- Openable and lockable front cover.
- Full protection against dust and water ingress with IP66 structure.
- Openable top structure that provides external access to the fan module.
- Cable entry slots are located at the bottom part.
- Air inlet louvers with dust filter.
- Air vent part with dust filtered fan.
- Ventilation can be provided by cooling units with 1 or 2 fans.
- 7U height option.
- Mounting profiles have U markings that facilitate the mounting process.
- It can be mounted to the wall.
- Highly effective zirconium + zinc coating against corrosion.
- Painted by impact-resistant,high strength, electrostatic Ral 7035 gray.
- All test procedures have been carried out and has RoHS, CE, EN 61587-1 standards.



Technical Descriptions

Dimensions W*D	: W:600 mm D:450 mm
Available U - Sizes	: 7U
Paint Type	: Electrostatic powder paint
Standarts	: In accordance with the standard TS EN IEC 61587-1: 2022 / ISO9001-2015 / ISO14001-2015 / ISO 45001-2018 / ISO 27001:2017 / RoHS / UL 2416
Material	: Sheet Steel, DIN EN 1030-99 / DC-01 6112 / DC-7122
Load Carrying Capacity	: 300kg / 661.38lbs
IP rating	: IP66
Available Colors	: Ral 7035 Light Gray

IP66 OUTDOOR

FORMRACK

Address: Akcaburgaz Mah. 592. Sokak No:10 B Blok 34522 Esenyurt - Istanbul - Türkiye
T: +90 212 565 56 50 / F: +90 212 567 40 46 www.formrack.com / sales@formrack.com

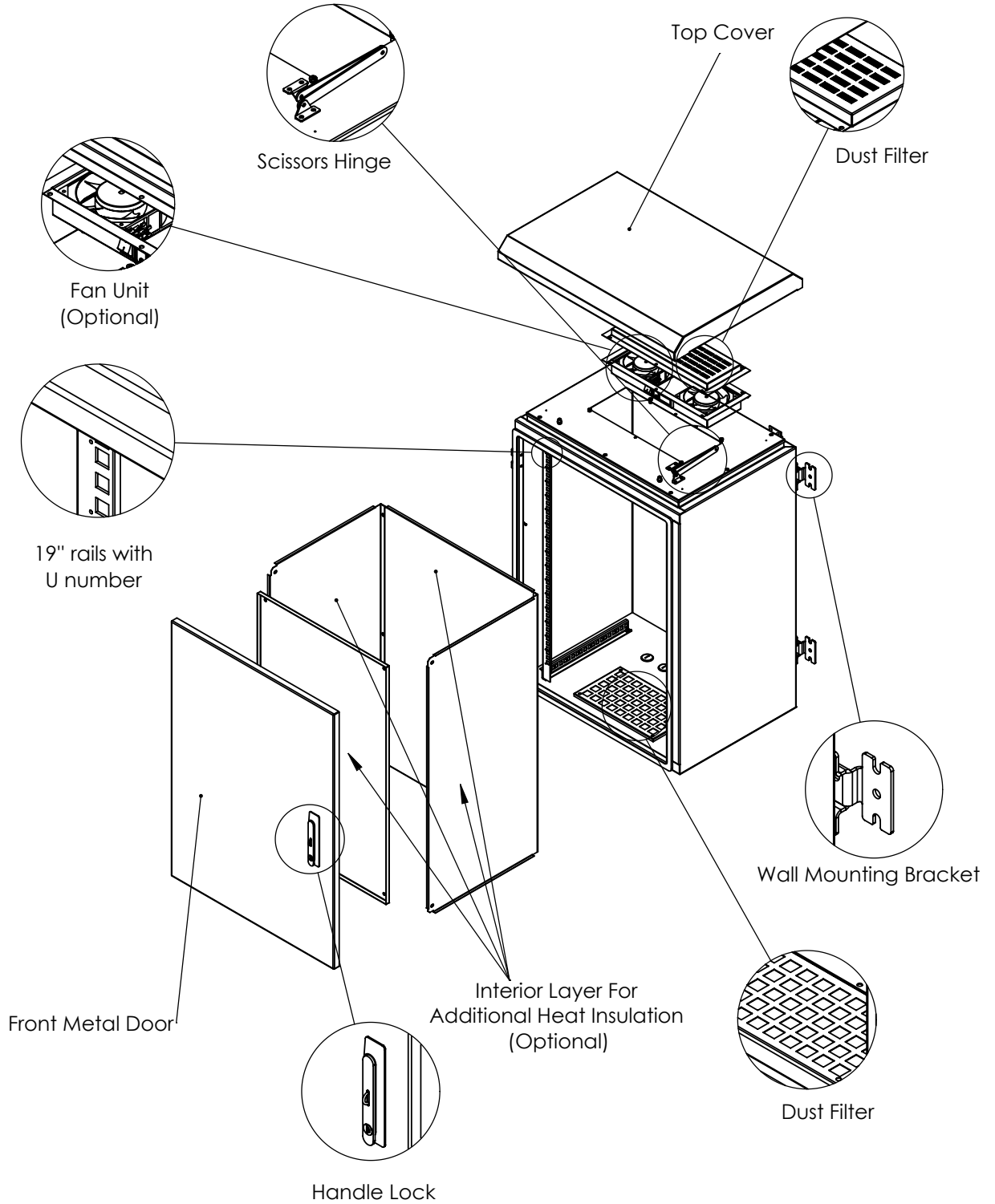
IP66 OUTDOOR

Technical data pages by Formrack

Outdoor 19" Wall Mounted Cabinet
Cabinet Reference Rack:7U 600x450

FORMRACK

Exploded View



IP66 OUTDOOR

FORMRACK

Address: Akcaburgaz Mah. 592. Sokak No:10 B Blok 34522 Esenyurt - Istanbul - Türkiye
T: +90 212 565 56 50 / F: +90 212 567 40 46 www.formrack.com / sales@formrack.com

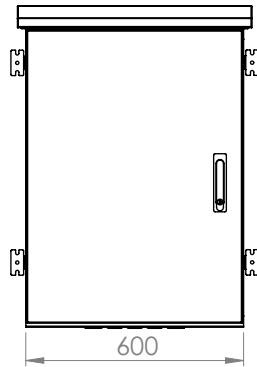
IP66 OUTDOOR

Technical data pages by Formrack

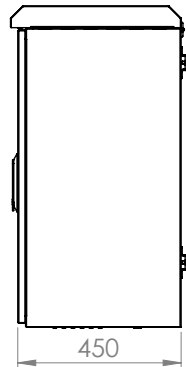
Outdoor 19" Wall Mounted Cabinet
Cabinet Reference Rack: 7U 600x450

FORMRACK®

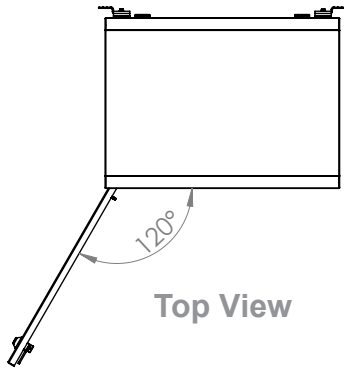
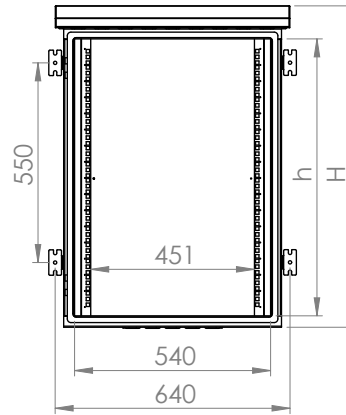
Front View



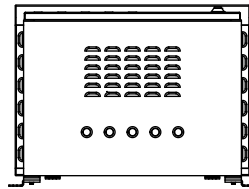
Side View



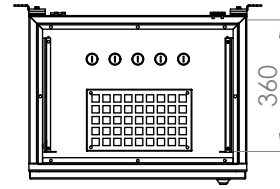
Front Detail View



Top View



Bottom View



Top Detail View

SINGLE LAYER

Product Number	Product Name	Dimensions (WxDxH) (mm)	U	H (mm)	h (mm)	Weight (kg)
FORM OUT-7U450D	7U 450 IP66 OUTDOOR WALL MOUNTED CABINET	600x450x486	7	486	361	24

DOUBLE LAYER

Product Number	Product Name	Dimensions (WxDxH) (mm)	U	H (mm)	h (mm)	Weight (kg)
FORM OUT-7U450DW	7U 450 IP66 OUTDOOR WALL MOUNTED CABINET	600x450x486	7	486	361	29

IP66 OUTDOOR

FORMRACK

Address: Akcaburgaz Mah. 592. Sokak No:10 B Blok 34522 Esenyurt - Istanbul - Türkiye
T: +90 212 565 56 50 / F: +90 212 567 40 46 www.formrack.com / sales@formrack.com